

ACCESSORIES



Drain Plug



Vent



Pressure Relief Valve



Humidity Indicator



Desiccant



Document Holder (internal or external)



Tray



Lifting Lugs/Grips



Card/Label System



Pallet Feet



Fork Tyne Locators/Pockets



Internal Cage



Trolley



Foam Liner Kit



Gas Strut

COLOURS AVAILABLE

STANDARD COLOURS



TRIM BLUE



TRIM GREY

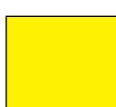
OPTIONAL COLOURS



ORANGE



RED



YELLOW



LIGHT BLUE



LIGHT GREEN



DARK GREEN



BLACK



KHAKI



AUSTRALIA

Pelican Products Pty Ltd
West Wing, Platinum Building
Suite 2.33
4 Ilya Av
Erina, NSW 2250
Australia
Tel: +612 4367 7022
Fax: +612 4367 7066
www.pelicanaustralia.com

Pelican-Trimcast Advanced Case Center
2 Forbes Close,
Knoxfield Victoria, 3180
Australia
Phone: +613 9765 1500
Fax: +613 9765 1550

U.S.A.

CALIFORNIA
Pelican Products, Inc.
23215 Early Avenue
Torrance, CA 90505
Toll free: +1 800 473 5422
Tel: +1 310 326 4700
Fax: +1 310 326 3311
www.pelican.com

OTHER GLOBAL LOCATIONS

CANADA

Pelican Products ULC
10221-184th Street
Edmonton, Alberta T5S 2J4
Canada
Toll free: 866 273 5422
Tel: +780 481 6076
Fax: +780 481 9586
www.pelican.ca

EUROPE, MIDDLE EAST AND AFRICA

Peli Products, S.L.U.
c/ Provença, 388, Planta 7
Barcelona, Spain 08025
Tel: +34 934 674 999
Fax: +34 934 877 393
www.peli.com

CHINA

Pelican Products China
Representative Office
Pine City Building, Room 1026
777 Zhaojiabang Road
Shanghai, China 200032
Toll free: 800 820 3082
Tel: +86 21 64189685
Fax: +86 21 64189679
www.pelican.com/cn

KOREA

Pelican Products Korea Ltd
#909 Hyundai 41 Tower, #2616
917-9, Mok-dong, Yangchon-gu
Seoul, Korea 158-050
Tel: +82 2 6092 4700
Fax: +82 2 6739 4700
www.pelican.com/ko

INDIA

Pelican Products and Services India Pvt. Ltd
GF 9&10, Augusta Point
Sector-53, Golf Course Road
Haryana, Gurgaon 122002 India
Tel: +91 124 4377227
Fax: +91 124 4049227
www.pelican.com

JAPAN

Pelican Products K.K.
Nisso 22 Bldg 9F
1-11-10 Azabu Dai
Minato ward Tokyo, Japan 106-0041
Tel: +81 33 585 9100
Fax: +81 33 585 9109
www.pelican.com/jp

SE ASIA and rest of ASIA (Hong Kong, Macau, Taiwan, Sri Lanka)

No.777, Pine City Building
ZhaoJiaBang Road
#10-26 Xu-Hui District
Shanghai, China 200032
Toll free: 1 800 820 3082
Phone: +86 21 64189685
Fax: +86 21 64189679
www.pelican.com

LATIN AMERICA

Pelican Products, Inc.
23215 Early Avenue
Torrance, California 90505 USA
Tel: +1 310 326 4700
Fax: +1 310 326 3311
www.pelican.com/es



©2015 Pelican Products, Inc.
Pelican Spacecase is covered by the following design registrations: 124 133; 124 134; 125 096; 126 744; 157 596

All trademarks are registered and/or unregistered trademarks of Pelican Products, Inc., its subsidiaries and/or affiliates.

Part # 0030-008-700A DE_15



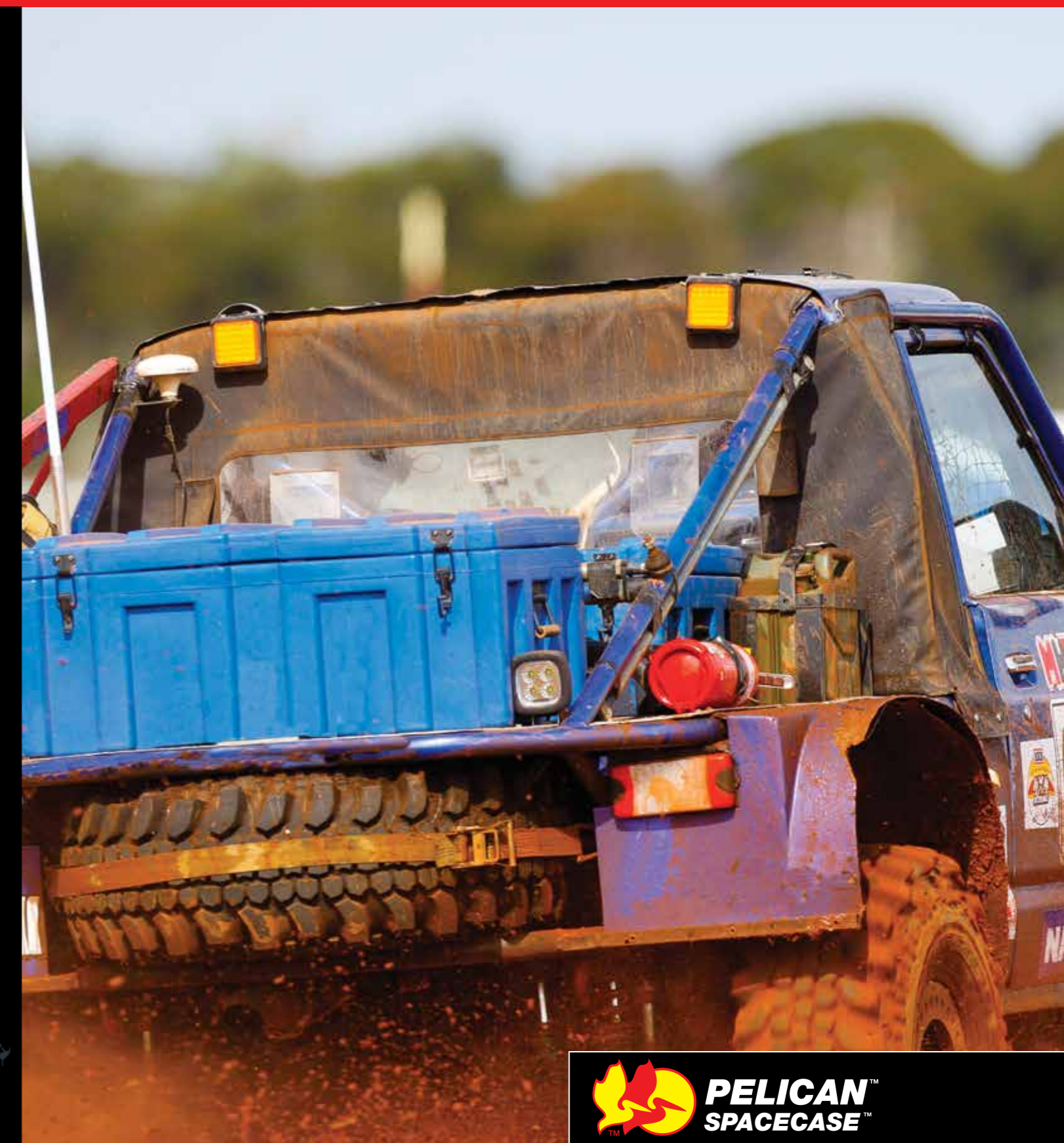
in Australia



Repeat-use packaging for supply chain management

See Pelican consumer line at PelicanProGear.com.au

Distributed by



STORAGE CONTAINERS

Protection in all shapes and sizes

Box General Range

These cases only interlock with cases of the same footprint (i.e. external length and width)

L20 – Refers to the external lid height = 200mm

L50 – Refers to the external lid height = 500mm

PRODUCT CODE	PRODUCT TYPE	EXTERNAL L x W x H (mm)	OPENING L x W (mm)	INTERNAL L x W x H (mm)	WEIGHT (kgs)
BG030030020	SPACECASE 303020	300 x 300 x 200	225 x 225	250 x 250 x 155	2.50
BG030030030	SPACECASE 303030	300 x 300 x 300	225 x 225	250 x 250 x 250	3.30
BG035034034	SPACECASE 353434	350 x 340 x 340	300 x 300	320 x 320 x 300	3.50
BG042033018	SPACECASE 423318	420 x 330 x 180	350 x 245	340 x 290 x 150	3.10
BG046038015	SPACECASE 463815	460 x 380 x 150	395 x 305	420 x 335 x 105	3.30
BG050045021	SPACECASE 504521	500 x 450 x 210	420 x 375	450 x 400 x 165	5.00
BG050045031	SPACECASE 504531	500 x 450 x 310	425 x 375	450 x 400 x 265	5.50
BG055TRAYRAIL	55 TRAY RAIL	N/A	N/A	N/A	1.00
BG057032032	SPACECASE 573232	570 x 320 x 320	490 x 225	510 x 265 x 290	4.00
BG057TRAYBK	573232 TRAY BLACK	505 x 240 x 65	N/A	490 x 230 x 60	1.00
BG070055037	SPACECASE 705537	700 x 550 x 370	580 x 435	630 x 480 x 315	9.00
BG078038038	SPACECASE 783838	780 x 380 x 380	700 x 290	720 x 330 x 310	6.00
BG084031018	SPACECASE 843118	840 x 310 x 180	775 x 255	765 x 255 x 150	5.20
BG084044018	SPACECASE 844418	840 x 440 x 180	780 x 375	765 x 375 x 125	6.75
BG084044067	SPACECASE 844467	840 x 440 x 675	775 x 375	765 x 375 x 620	13.00
BG084044080	SPACECASE 844480	840 x 440 x 800	765 x 375	765 x 375 x 770	13.50
BG090040040	SPACECASE 904040	900 x 400 x 400	795 x 295	800 x 305 x 325	12.50
BG090055040	SPACECASE 905540	900 x 550 x 400	755 x 405	850 x 490 x 325	12.50
BC09005504046	SPACECASE 905540 (w/castors)	900 x 550 x 400	755 x 405	850 x 490 x 325	12.50
BG090062055	SPACECASE 906255	900 x 620 x 550	825 x 520	860 x 570 x 500	18.00
BG090TRAYBK	905540 TRAY BLACK	780 x 435 x 95	N/A	750 x 400 x 90	1.50
BG110090045	SPACECASE 1109045	1100 x 900 x 450	1000 x 800	1020 x 820 x 390	30.00
BG110110050L20	SPACECASE 11011050 L20	1100 x 1100 x 500	940 x 940	1040 x 1040 x 350	35.00
BG110110080L20	SPACECASE 11011080 L20	1100 x 1100 x 800	940 x 940	1040 x 1040 x 700	45.00
BG110110080L50	SPACECASE 11011080 L50	1100 x 1100 x 800	940 x 940	1040 x 1040 x 645	45.00
BG110110110	SPACECASE 110110110	1100 x 1100 x 1100	940 x 940	1035 x 1035 x 940	55.00
BG124028040	SPACECASE 12428040	1240 x 280 x 400	1165 x 180	1230 x 225 x 300	13.00
BG120055040	SPACECASE 1205540	1200 x 550 x 380	1100 x 440	1150 x 460 x 300	15.00
BG140032032	SPACECASE 1403232	1400 x 320 x 320	1310 x 230	1310 x 240 x 235	13.00
BG165110045	SPACECASE 16511045	1650 x 1100 x 450	1500 x 940	1565 x 1020 x 380	60.00
BG180074094	SPACECASE 1807494	1800 x 740 x 940	1635 x 585	1730 x 680 x 750	55.50
BG215032032	SPACECASE 2153232	2150 x 320 x 320	2065 x 235	2065 x 235 x 230	19.00

Modular 550/1100 Range

All cases in this range interlock and cross-stack with other cases within this series.

Designed to suit ISO standard pallets, racks and shipping containers.

**optional tray kits are available for all 550 series cases.

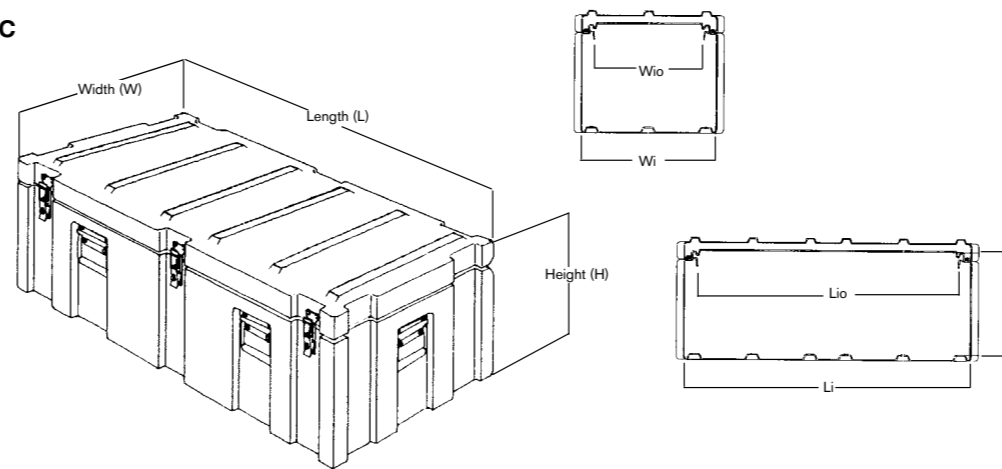
L08 – Refers to the external lid height = 80mm

L30 – Refers to the external lid height = 300mm

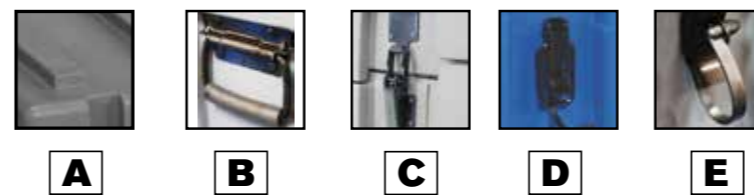
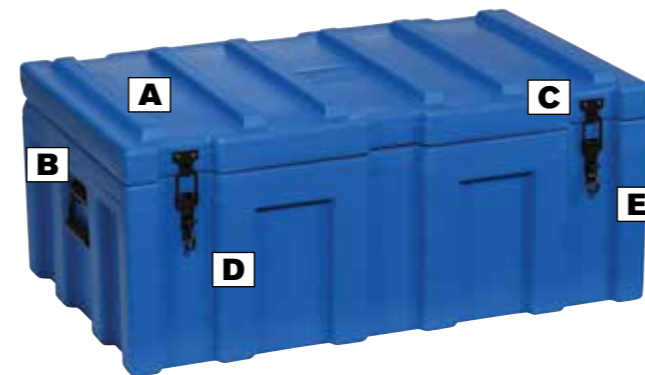
PRODUCT CODE	PRODUCT TYPE	EXTERNAL L x W x H (mm)	OPENING L x W (mm)	INTERNAL L x W x H (mm)	WEIGHT (kgs)
BG055055025L08	SPACECASE MODULAR 555525 L08	550 x 550 x 225	470 x 440	490 x 490 x 175	6.80
BG055055031L08	SPACECASE MODULAR 555531 L08	550 x 550 x 310	470 x 440	490 x 490 x 255	7.80
BG055055045L08	SPACECASE MODULAR 555545 L08	550 x 550 x 450	470 x 440	490 x 490 x 405	8.00
BG055055055L30	SPACECASE MODULAR 555555 L30	550 x 550 x 550	470 x 440	490 x 490 x 550	9.00
BG055055067L08	SPACECASE MODULAR 555567 L08	550 x 550 x 675	470 x 440	480 x 480 x 630	10.50
BG055055067L30	SPACECASE MODULAR 555567 L30	550 x 550 x 675	470 x 440	490 x 490 x 640	11.00
BG055055080L08	SPACECASE MODULAR 555580 L08	550 x 550 x 800	470 x 440	480 x 480 x 745	13.00
BG055055102L30	SPACECASE MODULAR 5555102 L30	550 x 550 x 1020	470 x 440	480 x 480 x 990	15.00
BG055TRAYBK	555545 TRAY BLACK	395 x 395 x 85	N/A	385 x 385 x 80	1.00
BG110055025L08	SPACECASE MODULAR 1105525 L08	1100 x 550 x 225	1020 x 440	1045 x 495 x 170	12.00
BC110055025L0846	SPACECASE MODULAR 1105525 L08 (w/castors)	1100 x 550 x 225	1020 x 440	1045 x 495 x 170	12.00

Product Features

- Moulded from UV stabilised food-grade polyethylene plastic
- Modular, stackable and interlocking design
- High strength rugged case – will not rust or dent
- Dust, Oil, Chemicals and Water resistant
- Large range of sizes
- Made military tough
- 3 Year Warranty
- Proudly designed and manufactured in Australia



- A** Interlocking Male/Female Ribs for Stacking
Secure non-slip stacking on matched size cases
- B** Comfortable Rubber Grip Handles
- C** Recessed Hardware
*Hardware protected from impact
Snag-free exterior*
- D** Zinc Plated and E-coated Hardware
Stainless steel hardware also available
- E** Keeper Pin
Prevents opening under vibration



- F** Over Centre Padlockable Lock
To keep the inside cargo secure
- G** Weather Resistant Sealing System
EPDM hollow sponge seal in lid prevents moisture ingress. Moulded tongue-in-groove parting line maintains original configuration after impact
- H** Reinforced Corners and Edges.
15-20% thicker corners and edges for added impact protection
- I** Positive Anti-Shear Ribs
Prevent lid separation upon impact
- J** Mould-in stacking ribs
Provide columnar strength for stacking



Modular 550/1100 Range (cont)

PRODUCT CODE	PRODUCT TYPE	EXTERNAL L x W x H (mm)	OPENING L x W (mm)	INTERNAL L x W x H (mm)	WEIGHT (kgs)
BG110055031L08	SPACECASE MODULAR 1105531 L08	1100 x 550 x 310	1020 x 440	1045 x 495 x 260	14.50
BC110055031L0846	SPACECASE MODULAR 1105531 L08 (w/castors)	1100 x 550 x 310	1020 x 440	1045 x 495 x 260	14.50
BG110055045L08	SPACECASE MODULAR 1105545 L08	1100 x 550 x 450	1020 x 440	1035 x 480 x 395	16.00
BC110055045L0846	SPACECASE MODULAR 1105545 L08 (w/castors)	1100 x 550 x 450	1020 x 440	1035 x 480 x 395	16.00
BG110055055L30	SPACECASE MODULAR 1105555 L30	1100 x 550 x 550	1020 x 440	1045 x 480 x 505	18.00
BG110055067L08	SPACECASE MODULAR 1105567 L08	1100 x 550 x 675	1020 x 440	1025 x 475 x 630	21.00
BG110055067L30	SPACECASE MODULAR 1105567 L30	1100 x 550 x 675	1020 x 440	1025 x 475 x 650	21.00
BG110055080L08	SPACECASE MODULAR 1105580 L08	1100 x 550 x 800	1020 x 440	1025 x 475 x 750	22.00
BG110055102L30	SPACECASE MODULAR 11055102 L30	1100 x 550 x 1020	1020 x 440	1020 x 470 x 982	24.00
BG110090045	SPACECASE MODULAR 1109045	1100 x 900 x 450	1000 x 800	1045 x 850 x 360	30.00
BG110TRAYBK	1105545 TRAY BLCK	790 x 425 x 95	N/A	760 x 400 x 90	1.00
BG165055045	SPACECASE MODULAR 165055045	1650 x 550 x 450	1555 x 455	1575 x 480 x 385	23.5
BG165055067	SPACECASE MODULAR 165055067	1650 x 550 x 675	1560 x 440	1580 x 480 x 570	30.00
BG220055045	SPACECASE MODULAR 22055045	2200 x 550 x 450	2110 x 440	2140 x 490 x 385	35.00
BG220055067	SPACECASE MODULAR 22055067	2200 x 550 x 675	2110 x 450	2140 x 490 x 585	45.00

Modular 620/1240 Range

All cases in this range interlock and cross-stack with other cases within this series.

PRODUCT CODE	PRODUCT TYPE	EXTERNAL L x W x H (mm)	OPENING L x W (mm)	INTERNAL L x W x H (mm)	WEIGHT (kgs)
BG062031031	SPACECASE MODULAR 623131	620 x 310 x 310	540 x 235	570 x 265 x 230	5.75
BG062031045	SPACECASE MODULAR 623145	620 x 310 x 450	540 x 235	565 x 260 x 375	7.75
BG062062031	SPACECASE MODULAR 626231	620 x 620 x 310	545 x 545	570 x 570 x 230	9.00
BG062062045	SPACECASE MODULAR 626245	620 x 620 x 450	545 x 545	570 x 570 x 380	12.00
BG062062067	SPACECASE MODULAR 626267	620 x 620 x 675	540 x 540	555 x 555 x 615	15.00
BG062TRAYBK	6231 TRAY BLACK	540 x 235 x 55	N/A	500 x 220 x 50	1.00
BG124062031	SPACECASE MODULAR 1246231	1240 x 620 x 310	1155 x 540	1185 x 565 x 230	18.00
BC12406203146	SPACECASE MODULAR 1246231 (w/castors)	1240 x 620 x 310	1155 x 540	1185 x 565 x 230	18.00
BG124062045	SPACECASE MODULAR 1246245	1240 x 620 x 450	1155 x 540	1185 x 565 x 365	28.00
BG124062067	SPACECASE MODULAR 1246267	1240 x 620 x 675	1170 x 540	1185 x 565 x 595	32.00

Modular 520/1040 Range

All cases in this range interlock with other cases within this series. Designed to suit G32/G66 shipping containers

BG052045025	SPACECASE MODULAR 524525	520 X 450 X 225	440 X 350	465 X 395 x 170	6.00
BG052045031	SPACECASE MODULAR 524531	520 X 450 X 310	440 X 350	465 X 395 x 245	6.20
BG052045045	SPACECASE MODULAR 524545	540 X 450 X 450	440 X 350	465 X 395 x 395	8.00
BG104045025	SPACECASE MODULAR 1044525	1040 X 450 X 225	955 X 350	995 X 400 x 180	12.00
BG104045031	SPACECASE MODULAR 1044531	1040 X 450 X 310	955 X 350	985 X 395 x 250	13.00
BG104045045	SPACECASE MODULAR 1044545	1040 X 450 X 450	955 x 350	980 x 390 x 400	14.50
BG104090031	SPACECASE MODULAR 1049031	1042 X 900 X 310	960 x 805	985 x 845 x 210	16.5
BG104090045	SPACECASE MODULAR 1049045	1042 X 900 X 450	960 x 805	985 x 845 x 360	18

Front opening Range

BG055036045BP	SPACECASE MODULAR BINPACK-363	550 x 360 x 440	495 x 370	495 x 310 x 405	10.5
BG055055045BP	SPACECASE MODULAR BINPACK 550	550 x 550 x 440	495 x 460	495 x 500 x 410	14
BG055055045FO	SPACECASE BINPACK 550 NO SHELVE	550 x 550 x 440	495 x 460	495 x 500 x 410	14

Insulated Box Range

BS060042034ULT	SPACECASE ULTRATHERM 32lt (GREY)	620 x 410 x 340	515 x 305	500 x 300 x 215	8.2
BS062062045ULT1	SPACECASE ULTRATHERM 626245 80LT	620 x 620 x 450	495 x 495	495 x 495 x 320	13
BS124062045ULT1	SPACECASE ULTRATHERM 1246245 175LT	1240 x 620 x 450	1100 x 480	1100 x 480 x 320	28

All Cases come in Blue and Grey colours.
When ordering, please, specify BL for Blue and GY for Grey:
BG012345678BL BG012345678GY